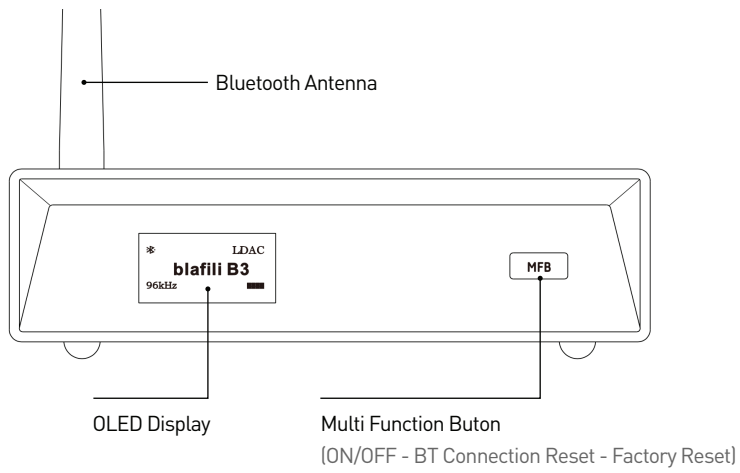


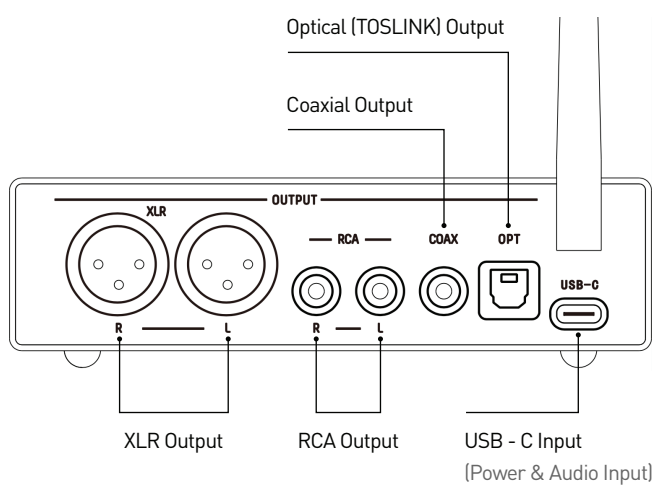
blafili B3

USB DAC with Bluetooth 5.1

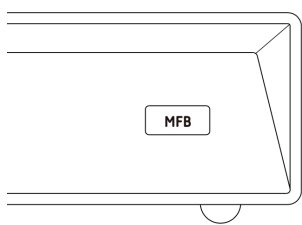
Front View of B3



Back View of B3



Using the MFB (Multi Function Button)



- **Power ON/OFF:** Press and hold the MFB for 3 seconds.
- **Un-pair connected Bluetooth devices:** Double press the MFB.
- **Factory reset:** Power OFF the blafili B3, then press and hold the MFB for 10 seconds. DEVICES ERASED will be displayed on the OLED display.

In the Box

- B3 Main Unit
- Bluetooth Antenna
- USB C Cable
- TOSLINK Cable

Safety Instructions

- Do not drop, knock or shake the unit
- Do not disassemble or modify the unit
- Keep the unit dry and away from all liquids
- Avoid extreme temperatures
- Clean with a soft dry microfibre cloth

Basic Setup

1. Attach the antenna to the back of the blafili B3
2. Choose and connect output (XLR/RCA/COAX/TOSLINK) to both the back of the blafili B3 and your home audio device (HiFi amplifier for example).
3. Connect USB-C cable to a powered source (If you wish to transfer music to the blafili B3 via USB which will produce the maximum sound quality, connect the USB-C cable to powered USB socket on your PC. If you only wish to use the Bluetooth capability of the blafili B3, you can use a standard USB mobile phone charger to power the unit.)
4. Unit will automatically power on.
5. Turn on home audio device.
6. (A) If using USB input, play your digital music file on your PC. Enjoy!
(B) To use Bluetooth mode, pair the blafili B3 with your preferred Bluetooth enabled device (for example mobile phone). Play your music. Enjoy!

Please Note:

- When using USB mode to play music, you may need to select the blafili B3 as the preferred audio device in your operating system.
- Bluetooth mode will automatically override USB mode if both are being used.

Specifications

Specifications are subject to change without notice.

DC input: 5V, 0.5A (min)	Inputs: Bluetooth, USB-C
Bluetooth chipset: Qualcomm QCC5125	Outputs: XLR, RCA, TOSLINK, Coaxial
DAC chipset: ES ES9018K2M	Output voltage: 2.1V RMS
Bluetooth version: 5.1	Output impedance: 57ohms
Supported codecs: AAC, SBC, aptX, aptX LL, aptX HD, LDAC	Freq response: 10hz-20kHz(+/- 0.5dB)
Size: 141 x76 x38mm / 5.6 x3.0 x1.5in	DNR: +127dB
Operating temperature range: -10degC to +55degC/14degF to 131degF	Latency: -30ms
Weight (without packaging): 240g/8.47oz	THD+N: -120dB
Range: 30m/100ft	DAC Output Resistance: 806ohm

FAQs

How many Bluetooth devices can this connect to at a single time?

Two Bluetooth source devices blafili B3 can connect to at a single time. However ONLY 1 can play at a time, you have to pause the other.

Here is the guide of HOW TO PAIR TWO DEVICES:

1. Power on blafili B3 Bluetooth receiver.
2. Enable Bluetooth on the 1st device, search and connect to "blafili B3".
3. After pairing successfully, disable Bluetooth on the 1st device. blafili B3 will enter pairing mode again.
4. Pair blafili B3 to the 2nd device by the same way.
5. After pairing successfully, enable Bluetooth on the 1st device, click to connect "blafili B3" again.
6. Now both 2 devices are connected to blafili B3.

Is there a master volume or gain?

There is no volume control included, but the source component connected will have volume control. The volume control on the powered speakers also impacts the volume.

FAQs

Didn't hear sound out of the digital coaxial/optical output ?

1. Go to your device Settings.
2. Tap on System.
3. Navigate to Developer options (you may need to turn on the Developer options first).
4. Find the Bluetooth audio sample rate menu.
5. Select 44.1kHz/48kHz **instead of 96kHz**.

If you have any further queries please contact us on michaelw@blafili.com

blafili
www.blafili.com

Contact Email: michaelw@blafili.com